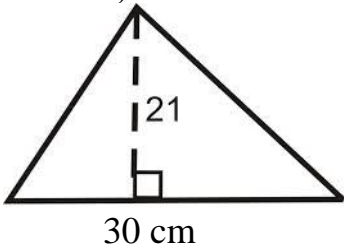
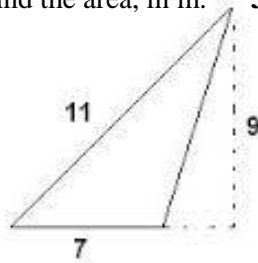


Math Concepts HW 19 3.16.15 Practice Quiz V

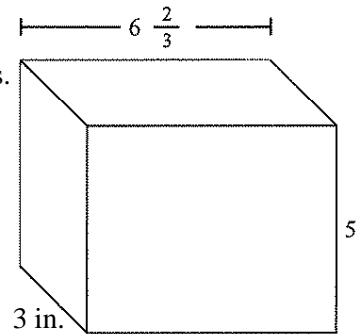
1) Find the area.



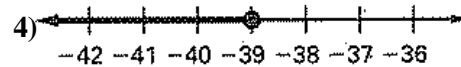
2) Find the area, in m.



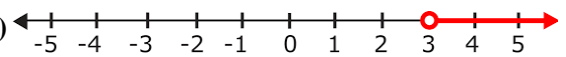
3) Find the volume in inches.



Write the inequality: 4)



5)



Mrs. Mulligan has 1 roll of green tape and 9 rolls of blue tape. Write each ratio 3 ways.

6) Ratio of blue to green tape 7) Ratio of green to blue tape 8) Ratio of blue tape to total rolls of tape

9) The ratio of blue marbles to red marbles is 3:4. If I have 24 blue marbles, how many red marbles?

10) The ratio of hardbacks to paperbacks in the bookstore was 5 to 2. If there were 600 paperbacks, how many hardbacks were in the bookstore?

Change each decimal to a fraction. 11) 0.09 12) 0.4 13) 0.35 14) 0.011

Change each fraction to a decimal. 15) $\frac{3}{100}$ 16) $\frac{3}{20}$ 17) $\frac{5}{8}$ 18) $\frac{7}{9}$ 19) $\frac{1}{11}$

Evaluate.

20) $0.08 \cdot 0.08$ 21) $0.12 \cdot 0.3$ 22) $(0.11)(0.009)$ 23) $10 \cdot 0.6$

24) $0.08 + 0.08$ 25) $0.12 + 0.3$ 26) $0.11 - 0.009$ 27) $10 - 0.6$